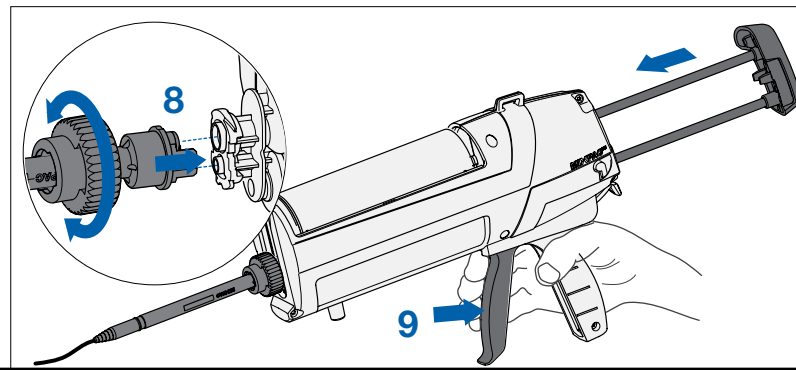
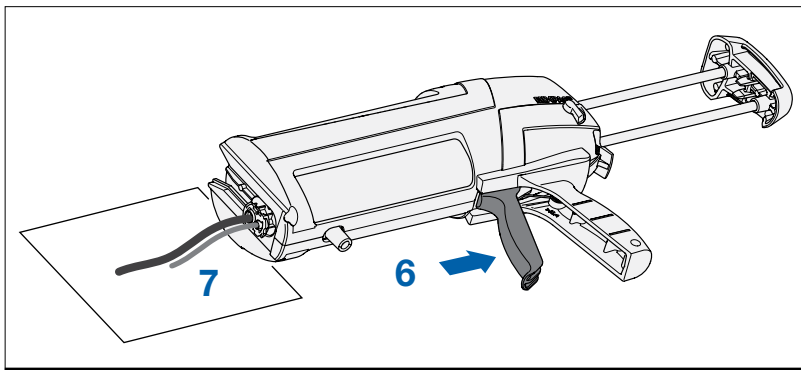
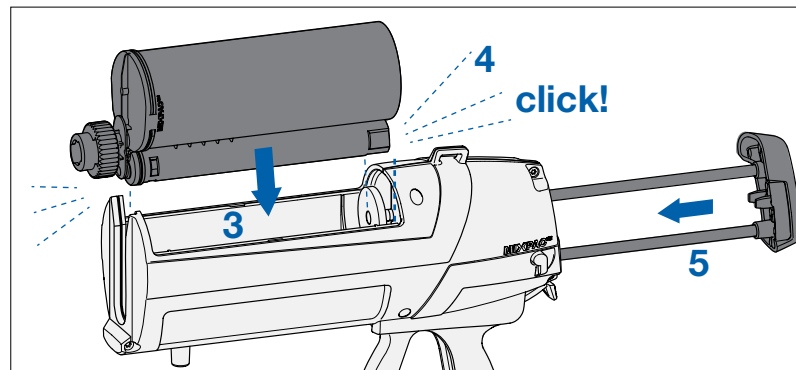
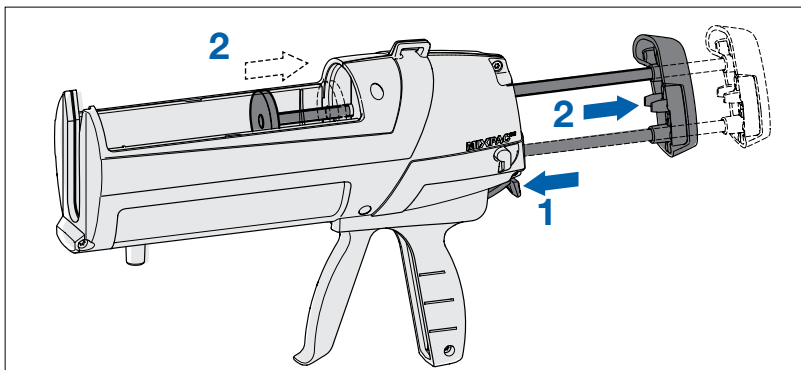
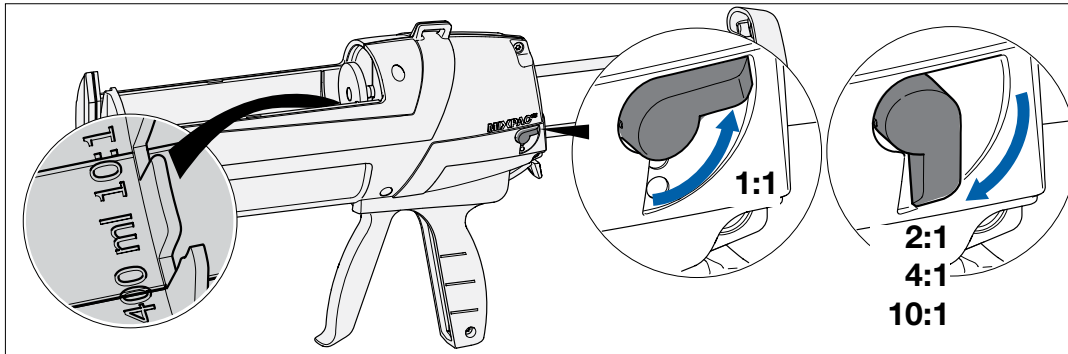
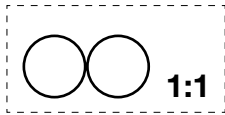
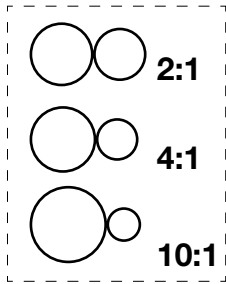


Quick Guide

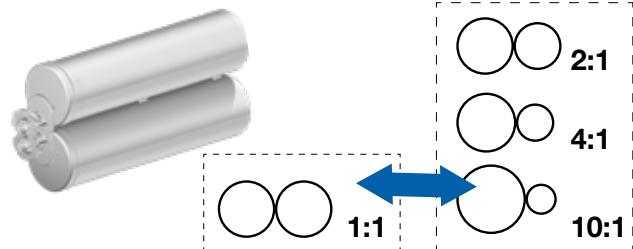
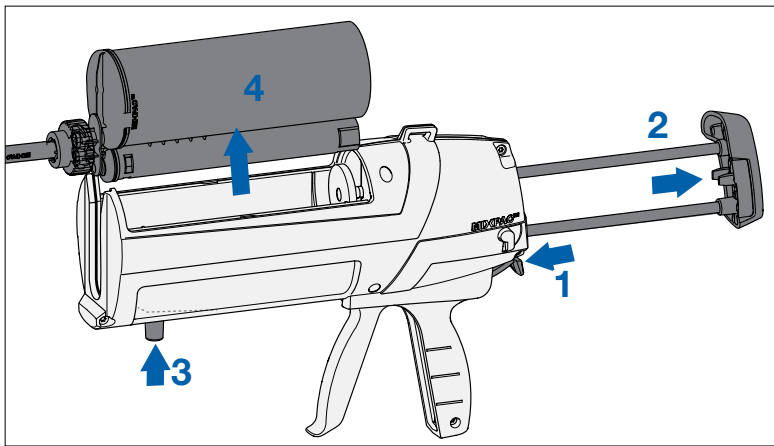
MIXPAC DM2X 200/400



200mL

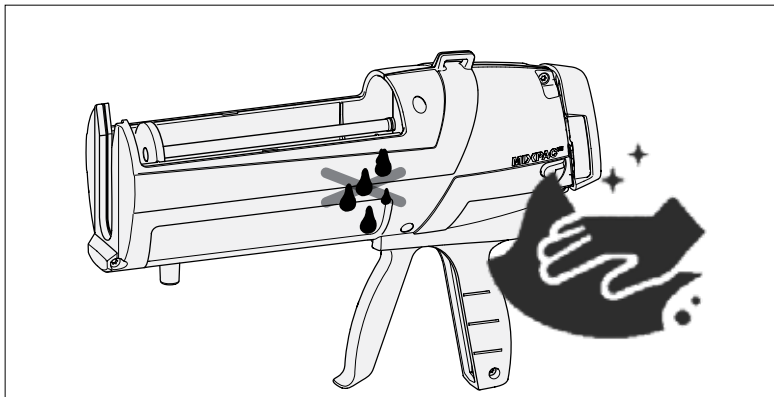
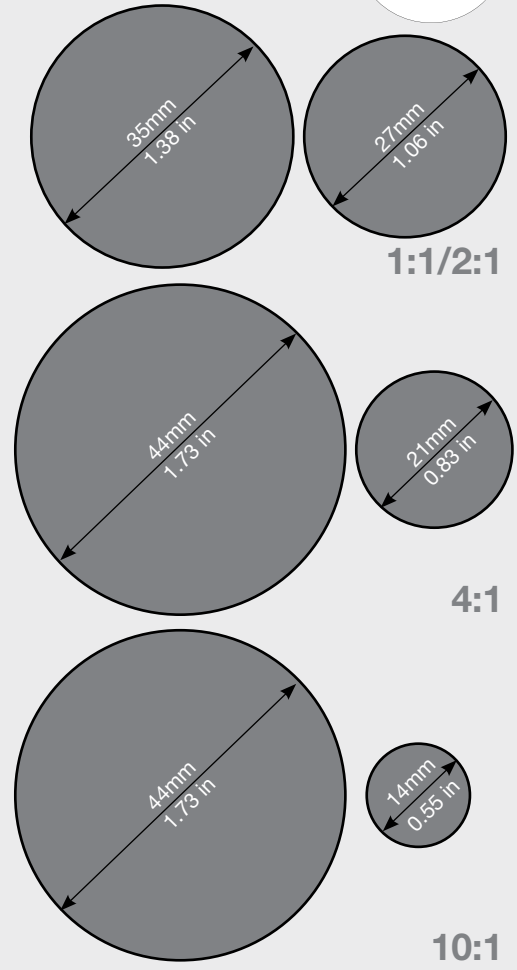
1:1/2:1
4:1
10:1

27mm 1.06 in
21mm 0.83 in
35mm 1.38 in
14mm 0.55 in
44mm 1.73 in
11mm 0.44 in



200mL		1:1	2:1	4:1	10:1
CKX 200-01-01	165834	✓	✓		
CKX 200-04-01	165835			✓	
CKX 200-10-01	165836				✓
400mL					
CKX 400-01-01	165839	✓	✓		
CKX 400-04-01	165840			✓	
CKX 400-10-01	165841				✓

400mL



www.sulzer.com/DM2X

Legal Notice: The information contained in this publication is believed to be accurate and reliable, but is not to be construed as implying any warranty or guarantee of performance. Sulzer Mixpac Applicator Systems waives any liability and indemnity for effects resulting from its application. © Sulzer 2020

