

FOXJET[®]

AN ITW COMPANY



SoloSeries

Thermal InkJet Printing

Inkjet
Technology by



invent

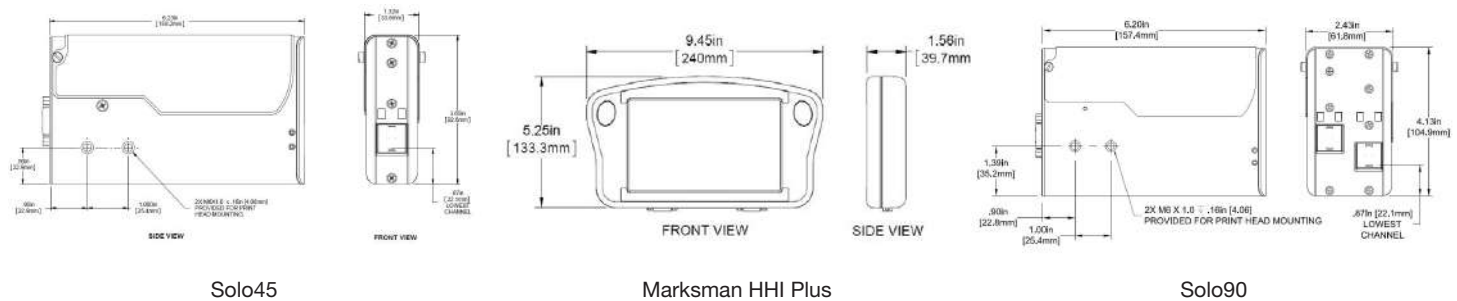


Features and Benefits



- **7" Handheld Marksman HHI Plus controller** with color touchscreen simplifies message creation and system operations with pop-up keypad compatible with Unicode supported languages
- **Enclosed industrial printheads** feature stainless steel faceplates with built-in photo sensors to detect product speed and direction and a hinged cover for easy access to ink cartridges
- **Print up to 10 lines** of high resolution text per inch including alphanumerics, barcodes and logos
- **Smart level ink detection system** provides users with ink level status while automatically adjusting printhead settings for the ink type
- **Multiple printhead configurations** allow you to drive up to eight Solo45 (1/2") or four Solo90(1') printheads on two independent production lines

Dimensions



Specifications

Controller	Marksman HHI Plus	Printing Method	
Touchscreen Display	7" Color	Printheads	Solo45 (1/2"), Solo90 (1")
Operator Interface	Graphical User Interface, WYSIWYG Editor	Technology	FoxJet HP Thermal Jet
QWERTY Keypad	Touchscreen Pop-up, Unicode Compatible	Print Height	1/2" and 1" Print Heads
Enclosure	Industrial Thermoplastic, Drop resistant	Print Resolution	300x300 dpi
Memory	512 MB for Unlimited Message Storage	Standard Print Speeds	Up to 200 fpm
Connectivity	1 Ethernet, 1 USB, 2 RS232	Print Speeds w/ Reduced Resolution	Up to 500 fpm
Capability	Drives Two Independent Production Lines	Print Options	Top Down, Angled Conveyor, Waterfall
IO Interface	No	Print Distance	Up to 1/4"
Auto Codes	Time, Date, Count, User Defined, Shifts, Operator Input		
Barcodes	GTIN, UPC, I2of5, Code 128, GS1-128, Code 39, EAN, UCC, 2D Data Matrix, QR	Ink Options	
Logos	Bitmap Images, PNG, TIF, JPEG	Ink Cartridge	Cartridge, 42ml, 45SI
Fonts	Arial Standard	Ink Types	Porous and Non-Porous Inks, Water Based for Porous and Aqueous Coated Cartons, Enhanced Solvent Based Option with Maximized De-Cap Times for Non-Porous Substrates
Font Sizes	1/10", 1/4", 1/2", 3/4", 1" tall		
PC Interface		System	
Windows PC GUI Software	Graphical User Interface, WYSIWIG Editor	Regulatory Listings	TUV (CE/CSA/UL)
Networking Software w/ Database	No	Operating Environment	50°F to 104°F (10°C to 40°C)
Direct Interface	Protocol Provided		